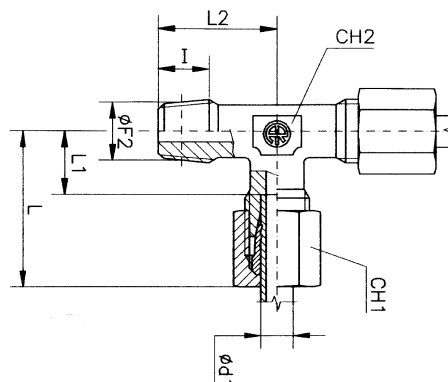




СЕРИЯ TN 127

ТРОЙНИК РЕЗЬБОВОЙ

Резьба:
Цилиндрическая (трубная)
Метрическая цилиндрическая



Серия	Ø Трубы d ₁	PN	Ø F2			a)		a)		Код для заказа			Вес кг x100шт.		
			R	M	NPT	I	L	L1	L2	CH1	CH2	R		M	NPT
LL	4	100	1/8"	8x1	1/8"	8	21	11	17	10	9	TN 127 - 4 LLR	TN 127 - 4 LLM	TN 127 - 4 LLNPT	3,0
	5		1/8"	8x1	1/8"	8	21	9,5	17	12	9	TN 127 - 5 LLR	TN 127 - 5 LLM	TN 127 - 5 LLNPT	3,0
	6		1/8"	10x1	1/8"	8	21	9,5	17	12	9	TN 127 - 6 LLR	TN 127 - 6 LLM	TN 127 - 6 LLNPT	3,0
	8		1/8"	10x1	1/8"	8	23	11,5	20	14	12	TN 127 - 8 LLR	TN 127 - 8 LLM	TN 127 - 8 LLNPT	4,0
	10		1/4"	-	-	12	27	15	25	17	14	TN 127 - 10 LLR	-	-	6,6
	12		1/4"	-	-	12	25	13	23	19	17	TN 127 - 12 LLR	-	-	8,7
L	6	315	1/8"	10x1	1/8"	8	27	12	20	14	12	TN 127 - 6 LR	TN 127 - 6 LM	TN 127 - 6 LNPT	5,5
	8		1/4"	12x1,5	1/4"	12	29	14	26	17	12	TN 127 - 8 LR	TN 127 - 8 LM	TN 127 - 8 LNPT	7,5
	10		1/4"	14x1,5	1/4"	12	30	15	27	19	14	TN 127 - 10 LR	TN 127 - 10 LM	TN 127 - 10 LNPT	11,0
	12		3/8"	16x1,5	3/8"	12	32	17	28	22	17	TN 127 - 12 LR	TN 127 - 12 LM	TN 127 - 12 LNPT	13,0
	15		1/2"	18x1,5	1/2"	14	36	21	34	27	19	TN 127 - 15 LR	TN 127 - 15 LM	TN 127 - 15 LNPT	22,0
	18		1/2"	22x1,5	1/2"	14	40	23,5	36	32	24	TN 127 - 18 LR	TN 127 - 18 LM	TN 127 - 18 LNPT	32,0
	22	160	3/4"	-	3/4"	16	44	27,5	42	36	27	TN 127 - 22 LR	-	TN 127 - 22 LNPT	40,0
	28		1"	-	1"	18	47	30,5	48	41	36	TN 127 - 28 LR	-	TN 127 - 28 LNPT	56,0
	35		1" 1/4	-	1" 1/4	20	56	34,5	54	50	41	TN 127 - 35 LR	-	TN 127 - 35 LNPT	90,0
	42		1" 1/2	-	1" 1/2	22	63	40	61	60	50	TN 127 - 42 LR	-	TN 127 - 42 LNPT	135,0
S	6	630	1/4"	12x1,5	1/4"	12	31	16	26	17	12	TN 127 - 6 SR	TN 127 - 6 SM	TN 127 - 6 SNPT	10,0
	8		1/4"	14x1,5	1/4"	12	32	17	27	19	14	TN 127 - 8 SR	TN 127 - 8 SM	TN 127 - 8 SNPT	12,0
	10		3/8"	16x1,5	3/8"	12	34	17,5	28	22	17	TN 127 - 10 SR	TN 127 - 10 SM	TN 127 - 10 SNPT	16,0
	12		3/8"	18x1,5	3/8"	12	38	21,5	31	24	17	TN 127 - 12 SR	TN 127 - 12 SM	TN 127 - 12 SNPT	20,0
	14		1/2"	20x1,5	1/2"	14	40	22	32	27	19	TN 127 - 14 SR	TN 127 - 14 SM	TN 127 - 14 SNPT	25,0
	16		1/2"	22x1,5	1/2"	14	43	24,5	32	30	24	TN 127 - 16 SR	TN 127 - 16 SM	TN 127 - 16 SNPT	32,0
	20	400	3/4"	-	3/4"	16	48	26,5	42	36	27	TN 127 - 20 SR	-	TN 127 - 20 SNPT	48,0
	25		1"	-	1"	18	54	30	48	46	36	TN 127 - 25 SR	-	TN 127 - 25 SNPT	92,0
	30		1" 1/4	-	1" 1/4	20	62	35,5	54	50	41	TN 127 - 30 SR	-	TN 127 - 30 SNPT	130,0
	38		315	1" 1/2	-	1" 1/2	22	72	41	61	60	50	TN 127 - 38 SR	-	TN 127 - 38 SNPT

Все размеры даны для фитинга в сборе.

a) TN 127 - 15 LM L2 = 32
TN 127 - 14 SNPT L2 = 34; I = 16
TN 127 - 16 SNPT L2 = 36; I = 16