

RONDELLE, NIPPLI, RUBINETTI, CODICE FAMIGLIA GIUNTI, INNESTI RAPIDI FAMILY CODE


XXX

WASHERS, NIPPLES, GATE VALVES, REVOLVING JOINTS, QUICK RELEASE COUPLINGS



Codice fascicolo: 997-400-15510


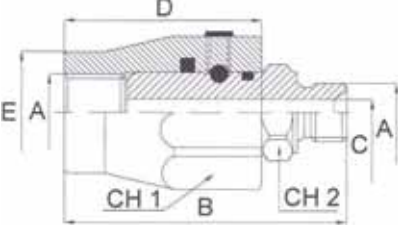
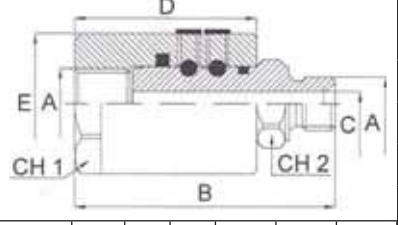

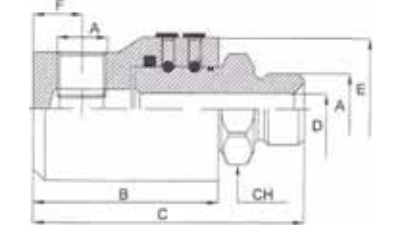
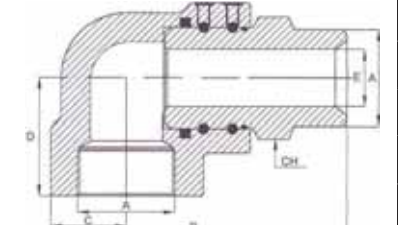
Data: Giovedì 24 maggio 2012

Codice foglio: 997-155-00010 Rev: AE




RONDELLE TENUTA / WASHERS				
		ACCIAIO/GOMMA DOWTY WASHERS	ALLUMINIO ALUMINIO	RAME COPPER
	G 1/8	116-009-10021		
	G 1/4	116-009-10049	116-009-00158	116-009-01111
	G 3/8	116-009-10085	116-009-00309	116-009-01166
	G 1/2	116-009-10129	116-009-00452	116-009-01200
	G 3/4	116-009-10343	116-009-00596	116-009-01255
	G 1	116-009-11002	116-009-00658	116-009-01308
	G 1 1/4	116-009-11137	116-009-00809	116-009-01504
	G 1 1/8	116-009-00756		
	G 1 1/2	116-009-11208	116-009-00854	116-009-01559

NIPPLI DOPPI / NIPPLES							
	G 1/4	G 3/8	G 1/2	G 3/4	G 1	G 1 1/4	G 1 1/2
G 1/8	116-006-00268						
G 1/4	116-006-00017	116-006-00026	116-006-00231				
G 3/8		116-006-00080	116-006-00099	116-006-00366			
G 1/2			116-006-00106		116-006-00240		
G 3/4			116-006-00160	116-006-00142	116-006-00151	116-006-00295	
G 1					116-006-00179	116-006-00204	116-006-00213
G 1 1/4						116-006-00188	116-006-00222
G 1 1/2							116-006-00197

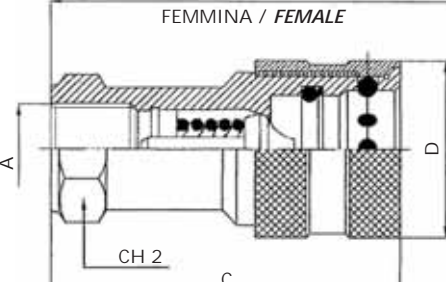
RUBINETTI / GATE AND BALL VALVES							
a ghigliottina / gate valves	A	Codice Code	a sfera ball valves	A	Max. press. esercizio Max working press.	Codice Code	
	G 1/2	38 126-003-00019		G 3/8	42 20 bar	126-005-00035	
	G 3/4	44 126-003-00028		G 1/2	49 20 bar	126-005-00044	
	G 1	48 126-003-00037		G 3/4	58 20 bar	126-005-00053	
	G 1 1/4	51 126-003-00046		G 1	68 20 bar	126-005-00062	
	G 1 1/2	58 126-003-00055		G 1 1/4	82 16 bar	126-005-00071	
	G 2	63 126-003-00064		G 1 1/2	89 16 bar	126-005-00080	
Pressione esercizio max. / Max working pressure 16 bar			G 2	105 16 bar		126-005-00106	

Assiali Straight	Diagram		Diagram		Pressione rotazione Rotation pressure - MAX	Pressione statica Static pressure - MAX	Codice Code
						G 1/4 200 bar	G 1/4 400 bar
					G 3/8 200 bar	G 3/8 400 bar	122-7-00022
					G 1/2 150 bar	G 1/2 300 bar	122-7-00031
					G 3/4 150 bar	G 3/4 300 bar	122-7-00040
					G 1 100 bar	G 1 300 bar	122-7-00059
					G 1 1/4 100 bar	G 1 1/4 300 bar	122-7-00068
					G 1 1/2 80 bar	G 1 1/2 300 bar	122-7-00077
					G 2 50 bar	G 2 250 bar	122-7-00086
GIUNTI GIREVOLI / REVOLVING JOINTS					G 1/4 200 bar	G 1/4 400 bar	122-8-00012
					G 3/8 200 bar	G 3/8 400 bar	122-8-00021
					G 1/2 150 bar	G 1/2 300 bar	122-8-00030
					G 3/4 150 bar	G 3/4 300 bar	122-8-00049
					G 1 100 bar	G 1 300 bar	122-8-00058
					G 1 1/4 100 bar	G 1 1/4 300 bar	122-8-00067
					G 1 1/2 80 bar	G 1 1/2 300 bar	122-8-00076
					G 2 50 bar	G 2 250 bar	122-8-00085

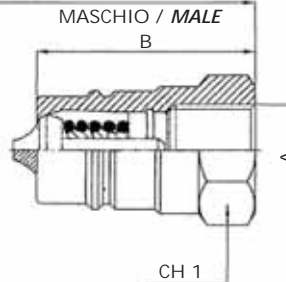
INNESTI RAPIDI UNIFICATI serie N N series *STANDARTDISED QUICK RELEASE COUPLING*

COMPLETO / COMPLETE		MASCHIO / MALE		FEMMINA / FEMALE			
	A sfera Ball type	G 1/4	119-014-00011	119-015-00010			119-015-00029
		G 3/8	119-014-00020	119-015-00038			119-015-00047
		G 1/2	119-014-00039	119-015-00056			119-015-00065
		G 3/4	119-014-00048	119-015-00074			119-015-00083
		G 1	119-014-00057	119-015-00092			119-015-00109

L (accoppiato/mounted)






FEMMINA / FEMALE



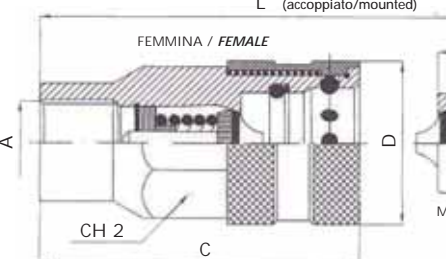
MASCHIO / MALE

	A	B	C	ØD	L	CH1	CH2	PRESSIONE ESERCIZIO WORKING PRESSURE
G 1/4	35	52	27	27	70.5	19	21	350 bar
G 3/8	39	61	35	35	80	22	27	315 bar
G 1/2	45	67	38	38	92	27	30	250 bar
G 3/4	53	82	46	46	106.5	34	38	250 bar
G 1	58	95.5	55	55	120	41	45	230 bar

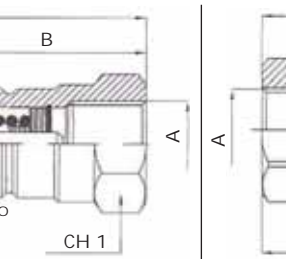
INNESTI RAPIDI serie TV TV series *QUICK RELEASE COUPLING*

COMPLETO / COMPLETE		MASCHIO / MALE		FEMMINA / FEMALE			
	A sfera Ball type	G 1/4	119-004-00013	119-005-00012			119-005-00021
		G 3/8	119-004-00022	119-005-00030			119-005-00049
		G 1/2	119-004-00031	119-005-00058			119-005-00067
		G 3/4	119-004-00040	119-005-00076			119-005-00085
		G 1	119-004-00059	119-005-00094			119-005-00101
		G 1 1/4	119-004-00068	119-005-00110			119-005-00129
		G 1 1/2	119-004-00077	119-005-00138			119-005-00147
		G 2	119-004-00086	119-005-00156			119-005-00165
		G 2 1/2	119-004-00095	119-005-00174			119-005-00183

L (accoppiato/mounted)



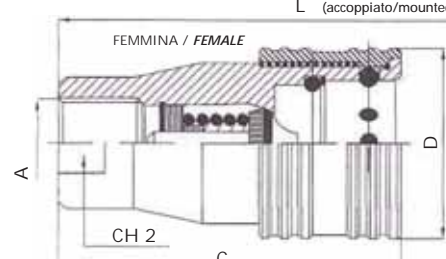
FEMMINA / FEMALE



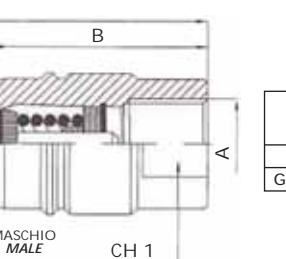
MASCHIO / MALE

A	B	C	ØD	L	CH1	CH2	PRESSIONE ESERCIZIO WORKING PRESSURE
G 1/4	35	55	27	71	19	21	350 bar
G 3/8	39	60.5	35	79.5	22	27	300 bar
G 1/2	45	73	40	90	27	32	250 bar

L (accoppiato/mounted)



FEMMINA / FEMALE



MASCHIO / MALE

A	B	C	ØD	L	CH1	CH2	PRESSIONE ESERCIZIO WORKING PRESSURE
G 2	89	139	114	177	70	70	100 bar
G 2-1/2	89	139	114	177	84	84	100 bar



SERIE N: unificata con gli innesti dei principali produttori.
N-Series: compatible with other couplings produced by various manufacturers.
 SERIE TV: maschio e femmina non utilizzabili con altre serie (montabili solo tra di loro).
TV SERIES: male and female couplings that cannot be mixed-up with other makes (usable only among the same series).

**COMPANY WITH
QUALITY SYSTEM
CERTIFIED BY DNV
= ISO 9001 =**

pag.22
O.M.F.B. S.p.A. Hydraulic Components
 We reserve the right to make any changes without notice.
 Edition 2005.06 No reproduction, however partial, is permitted.
 Via Cave, 7/9 25050 Provaglio d'Iseo (Brescia) Italy Tel.: +39.030.9830611
 Fax: +39.030.9839207-208 Internet:www.omfb.it e-mail:info@omfb.it





Codice fascicolo: 997-400-15510
Data: Giovedì 24 maggio 2012
Codice foglio: 997-155-00010 Rev: AE

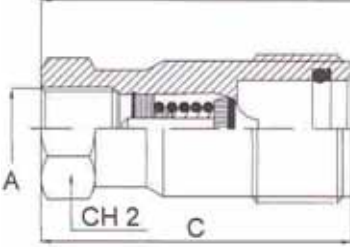
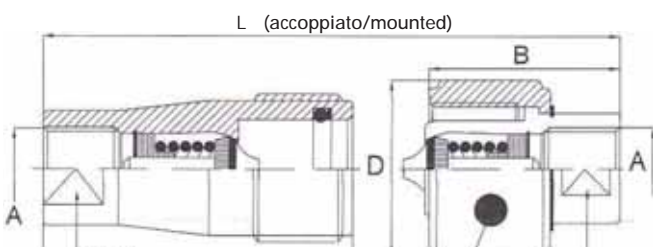
INNESTI RAPIDI A VITE / SCREW TYPE QUICK RELEASE COUPLING

Codice fascicolo: 997-400-15510

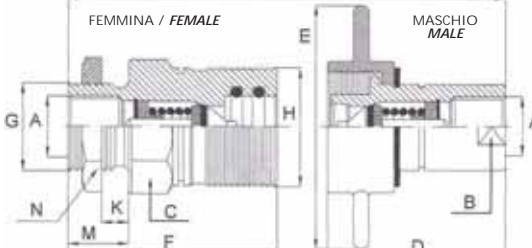
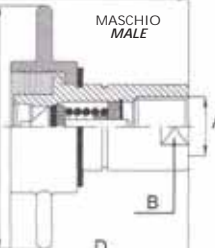
Data: Giovedì 24 maggio 2012

Codice foglio: 997-155-00010 Rev: AE

COMPLETO / COMPLETE				FEMMINA / FEMALE		MASCHIO / MALE	
	A vite Screw type	G 1/4	119-006-00011	119-007-00010		119-007-00029	
		G 3/8	119-006-00020	119-007-00038		119-007-00047	
		G 1/2	119-006-00039	119-007-00056		119-007-00065	
		G 3/4	119-006-00048	119-007-00074		119-007-00083	
		G 1	119-006-00057	119-007-00092		119-007-00109	
		G 1 1/4	119-006-00066	119-007-00118		119-007-00127	
		G 1 1/2	119-006-00075	119-007-00136		119-007-00145	
		G 2	119-006-00084	119-007-00154		119-007-00163	
		G 2 1/2	119-006-00093	119-007-00172		119-007-00181	

FEMMINA / FEMALE L (accoppiato/mounted)		MASCHIO / MALE L (accoppiato/mounted)																																																																																																			
																																																																																																					
<table border="1" style="font-size: small;"> <thead> <tr> <th>A</th><th>B</th><th>C</th><th>ØD</th><th>L</th><th>CH1</th><th>CH2</th><th>CH3</th><th>PRESS. ESERCIZIO WORKING PRESS.</th></tr> </thead> <tbody> <tr><td>G 1/4</td><td>39</td><td>50</td><td>31</td><td>72</td><td>17</td><td>19</td><td>28</td><td>Max. 500 bar</td></tr> <tr><td>G 3/8</td><td>44</td><td>58</td><td>38</td><td>83</td><td>20</td><td>27</td><td>34</td><td>Max. 450 bar</td></tr> <tr><td>G 1/2</td><td>47</td><td>75</td><td>47</td><td>100</td><td>27</td><td>32</td><td>42</td><td>Max. 400 bar</td></tr> <tr><td>G 3/4</td><td>50</td><td>91</td><td>50</td><td>118</td><td>32</td><td>38</td><td>45</td><td>Max. 350 bar</td></tr> <tr><td>G 1</td><td>63</td><td>89</td><td>60</td><td>120</td><td>41</td><td>45</td><td>55</td><td>Max. 300 bar</td></tr> <tr><td>G 1-1/4</td><td>70</td><td>105</td><td>70</td><td>141</td><td>50</td><td>55</td><td>65</td><td>Max. 250 bar</td></tr> <tr><td>G 1-1/2</td><td>72</td><td>105</td><td>90</td><td>141</td><td>55</td><td>60</td><td>80</td><td>Max. 220 bar</td></tr> </tbody> </table>	A	B	C	ØD	L	CH1	CH2	CH3	PRESS. ESERCIZIO WORKING PRESS.	G 1/4	39	50	31	72	17	19	28	Max. 500 bar	G 3/8	44	58	38	83	20	27	34	Max. 450 bar	G 1/2	47	75	47	100	27	32	42	Max. 400 bar	G 3/4	50	91	50	118	32	38	45	Max. 350 bar	G 1	63	89	60	120	41	45	55	Max. 300 bar	G 1-1/4	70	105	70	141	50	55	65	Max. 250 bar	G 1-1/2	72	105	90	141	55	60	80	Max. 220 bar	<table border="1" style="font-size: small;"> <thead> <tr> <th>A</th><th>B</th><th>C</th><th>ØD</th><th>L</th><th>CH1</th><th>CH2</th><th>CH3</th><th>PRESS. ESERCIZIO WORKING PRESS.</th></tr> </thead> <tbody> <tr><td>G 2</td><td>85</td><td>130</td><td>135</td><td>172</td><td>80</td><td>80</td><td>220</td><td>Max. 150 bar</td></tr> <tr><td>G 2-1/2</td><td>85</td><td>130</td><td>135</td><td>172</td><td>85</td><td>85</td><td>220</td><td>Max. 120 bar</td></tr> </tbody> </table>		A	B	C	ØD	L	CH1	CH2	CH3	PRESS. ESERCIZIO WORKING PRESS.	G 2	85	130	135	172	80	80	220	Max. 150 bar	G 2-1/2	85	130	135	172	85	85	220	Max. 120 bar
A	B	C	ØD	L	CH1	CH2	CH3	PRESS. ESERCIZIO WORKING PRESS.																																																																																													
G 1/4	39	50	31	72	17	19	28	Max. 500 bar																																																																																													
G 3/8	44	58	38	83	20	27	34	Max. 450 bar																																																																																													
G 1/2	47	75	47	100	27	32	42	Max. 400 bar																																																																																													
G 3/4	50	91	50	118	32	38	45	Max. 350 bar																																																																																													
G 1	63	89	60	120	41	45	55	Max. 300 bar																																																																																													
G 1-1/4	70	105	70	141	50	55	65	Max. 250 bar																																																																																													
G 1-1/2	72	105	90	141	55	60	80	Max. 220 bar																																																																																													
A	B	C	ØD	L	CH1	CH2	CH3	PRESS. ESERCIZIO WORKING PRESS.																																																																																													
G 2	85	130	135	172	80	80	220	Max. 150 bar																																																																																													
G 2-1/2	85	130	135	172	85	85	220	Max. 120 bar																																																																																													

	COMPLETO/COMPLETE	FISSO/FIXED PIECE	A GHIERA/LOOSE WINGS PIECE
	Ad alette Wings type	G 3/4 119-016-00091 G 1 119-016-00108	119-017-00072 119-017-00090

L (accoppiato/mounted)																																								
																																								
<table border="1" style="font-size: small;"> <thead> <tr> <th>A</th><th>B</th><th>C</th><th>D</th><th>E</th><th>F</th><th>G</th><th>H</th></tr> </thead> <tbody> <tr><td>G 3/4</td><td>33</td><td>46</td><td>78</td><td>115</td><td>78</td><td>G1-1/4</td><td>44x2.5</td></tr> <tr><td>G 1</td><td>40</td><td>55</td><td>83</td><td>115</td><td>83</td><td>G1-1/4</td><td>54x2.5</td></tr> </tbody> </table>	A	B	C	D	E	F	G	H	G 3/4	33	46	78	115	78	G1-1/4	44x2.5	G 1	40	55	83	115	83	G1-1/4	54x2.5	<table border="1" style="font-size: small;"> <thead> <tr> <th>K</th><th>L</th><th>M</th><th>N</th><th>PRESSIONE ESERCIZIO WORKING PRESSURE</th></tr> </thead> <tbody> <tr><td>10.5</td><td>137</td><td>20</td><td>50</td><td>250 bar</td></tr> <tr><td>16.5</td><td>154</td><td>26</td><td>50</td><td>230 bar</td></tr> </tbody> </table>	K	L	M	N	PRESSIONE ESERCIZIO WORKING PRESSURE	10.5	137	20	50	250 bar	16.5	154	26	50	230 bar
A	B	C	D	E	F	G	H																																	
G 3/4	33	46	78	115	78	G1-1/4	44x2.5																																	
G 1	40	55	83	115	83	G1-1/4	54x2.5																																	
K	L	M	N	PRESSIONE ESERCIZIO WORKING PRESSURE																																				
10.5	137	20	50	250 bar																																				
16.5	154	26	50	230 bar																																				

TAPPI DI PROTEZIONE / DUST CAPS																																				
A vite Screw type	Maschio / Male	Femmina / Female	MASCHIO MALE	FEMMINA FEMALE																																
			<table border="1" style="font-size: small;"> <tbody> <tr><td>G 1/4</td><td>119-003-00523</td><td>119-003-00532</td></tr> <tr><td>G 3/8</td><td>119-003-00569</td><td>119-003-00578</td></tr> <tr><td>G 1/2</td><td>119-003-00603</td><td>119-003-00612</td></tr> <tr><td>G 3/4</td><td>119-003-00649</td><td>119-003-00658</td></tr> <tr><td>G 1</td><td>119-003-00685</td><td>119-003-00694</td></tr> <tr><td>G 1 1/4</td><td>119-003-00729</td><td>119-003-00738</td></tr> <tr><td>G 1 1/2</td><td>119-003-00765</td><td>119-003-00774</td></tr> <tr><td>G 2</td><td>119-003-00809</td><td>119-003-00818</td></tr> <tr><td>G 2 1/2</td><td>119-003-00845</td><td>119-003-00854</td></tr> </tbody> </table>	G 1/4	119-003-00523	119-003-00532	G 3/8	119-003-00569	119-003-00578	G 1/2	119-003-00603	119-003-00612	G 3/4	119-003-00649	119-003-00658	G 1	119-003-00685	119-003-00694	G 1 1/4	119-003-00729	119-003-00738	G 1 1/2	119-003-00765	119-003-00774	G 2	119-003-00809	119-003-00818	G 2 1/2	119-003-00845	119-003-00854	<table border="1" style="font-size: small;"> <tbody> <tr><td>G 3/4</td><td>119-003-02076</td><td>119-003-02085</td></tr> <tr><td>G 1</td><td>119-003-02094</td><td>119-003-02101</td></tr> </tbody> </table>	G 3/4	119-003-02076	119-003-02085	G 1	119-003-02094
G 1/4	119-003-00523	119-003-00532																																		
G 3/8	119-003-00569	119-003-00578																																		
G 1/2	119-003-00603	119-003-00612																																		
G 3/4	119-003-00649	119-003-00658																																		
G 1	119-003-00685	119-003-00694																																		
G 1 1/4	119-003-00729	119-003-00738																																		
G 1 1/2	119-003-00765	119-003-00774																																		
G 2	119-003-00809	119-003-00818																																		
G 2 1/2	119-003-00845	119-003-00854																																		
G 3/4	119-003-02076	119-003-02085																																		
G 1	119-003-02094	119-003-02101																																		
Per raccordo ad alette A GHIERA For wings coupling suitable for LOOSE WINGS piece 	Per raccordo ad alette FISSO For wings coupling suitable for FIXED piece 																																			